



## LED POLE TOP AMENITY LUMINAIRES

IP66 IK10 CE LED

### SPECIFICATION

- Die cast aluminium top and spigot adaptor finished full polyester RAL9006
- High impact UV stabilised polycarbonate cover rated IK10
- Integral high efficiency driver
- Extremely efficient and long system life up to 100,000 hours
- Pole top 76mm as standard
- Fitted with 6m flying lead
- Fitted with 4000K LEDs
- Photocell option

### LED CHARACTERISTICS

Ra	°K	L70/B10	LL/CW <b>120.0</b>
70	4000	100K	
P/U	%	R/Rx	PF
P	>85	R	>0.90

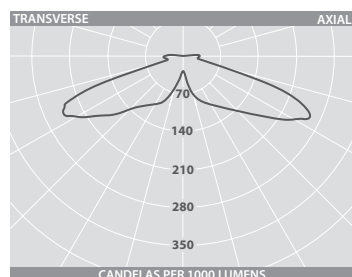
For LED characteristics explanation see [www.thorlux.com/led-characteristics](http://www.thorlux.com/led-characteristics)

### RANGE

LED	CAT. No.	APPROX. kg
31W	<b>JUN 17672L</b>	8.0
52W	<b>JUN 17673L</b>	8.0

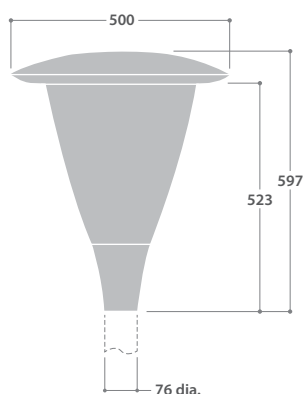
CIRCUIT TYPE - L - non-dimming (LED)

### PHOTOMETRIC GUIDE



Luminaire Lumen Output:  
31W = 4320lm  
52W = 6825lm

### DIMENSIONS



### OPTIONS

DESCRIPTION	SUFFIX	EXAMPLE
Photocell	<b>PC</b>	<b>JUN 17672LPC</b>